

The *Choices* brand

Windows, Doors,  
Conservatories

www.

**WINDOW-MART**  
.co.uk

CONSERVATORIES, DOORS & WINDOWS

☎ **01403 711936**  
☎ **01293 543513**

**SHOW COMPLEX** Opening times: Mon -Sat: 10am – 4pm, Sun: 11.30am – 3.30pm  
Old Barn Garden Centre, Worthing Road Dial Post, Horsham, West Sussex RH13 8NR

**FENSA**  
Registered Company

# 'Choices' Aluminium Windows



# 'Choices' Aluminium Windows

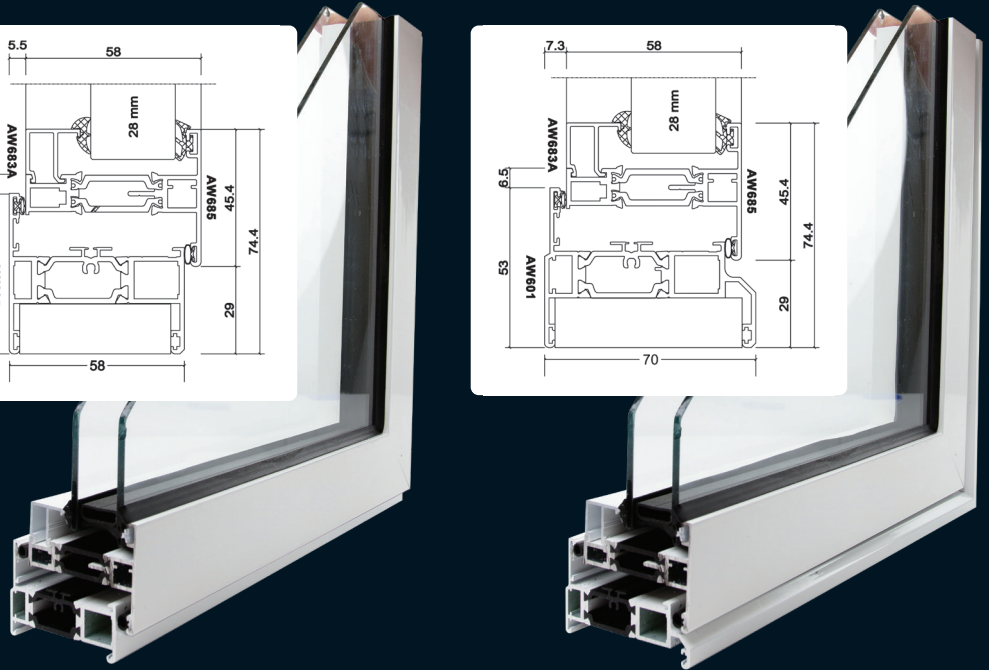
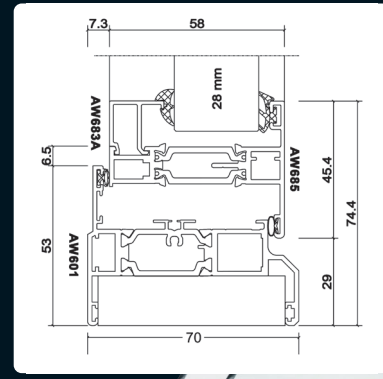
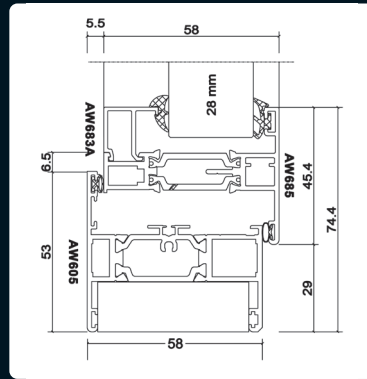
The ALUK range was the first aluminium system in the UK to achieve an 'A' rated window for the Energy Saving Scheme with a double glazed unit.

The standard 'Choices' aluminium window is the Optio '58BW ST Casement'

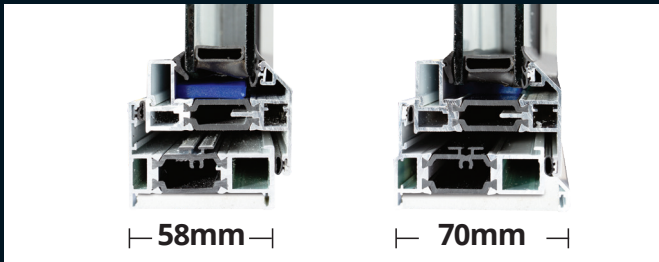


## Colour Range

for fast delivery



## Two frame depths



## Two frame heights



## Specification

- ✓ Contemporary Flat sash
- ✓ 58mm or 70mm front to back profile depth
- ✓ Frame Heights - 43mm, 53mm and 73mm
- ✓ Externally glazed fixed panes or internally glazed dummy sashes
- ✓ Window Energy Rated 'B'
- ✓ Black or White cranked handles
- ✓ Polyamide thermal break design for thermal performance

## Upgrades/Options *(Extended lead time)*

Sashes - Puttyline sash, Stepped sash and Externally beaded sash

Other Colours - Full range of RAL colours in single or dual finishes

PAS 24 / Doc Q

'A' Rated

Handles - A range of cranked handles



WWW.  
**WINDOW-MART**  
.co.uk

CONSERVATORIES, DOORS & WINDOWS

☎ 01403 711936  
☎ 01293 543513